



ESTD. ENGLAND 1958



# INSTRUCTION MANUAL



PRODUCT CODE: 195678

# WHITE MICROWAVE



ESTD. ENGLAND 1958

## How can we help?

The Haden team is always interested in what you have to say, so why not get in touch?

---



Call us  
**01909 544 570**



Email us  
**[info@hadenappliances.com](mailto:info@hadenappliances.com)**

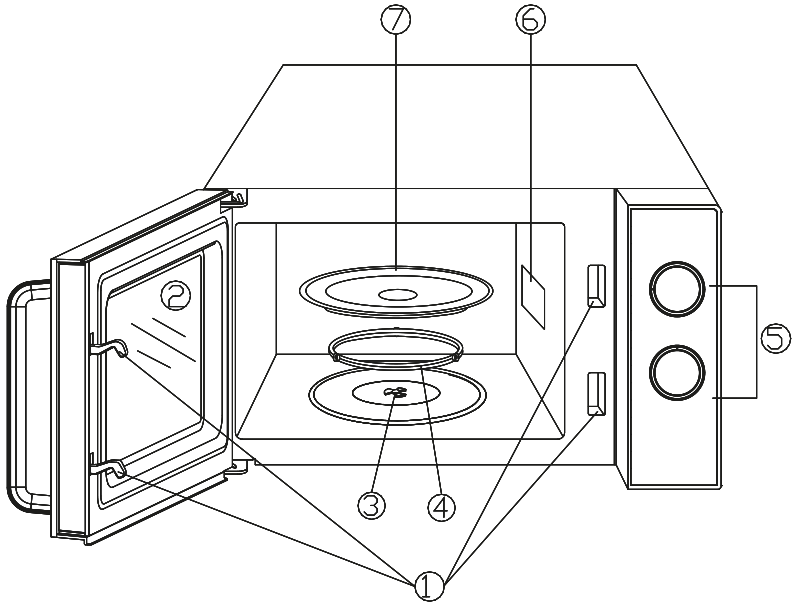


Write to us  
**Team Haden, Sabichi Homewares Ltd,  
Priorswell Rd, Worksop, S80 2BY**



Visit us  
**[www.hadenappliances.com](http://www.hadenappliances.com)**

# COMPONENTS



- 1. Door Safety Lock System
- 2. Oven Window
- 3. Shaft
- 4. Turntable Support
- 5. Control Panel
- 6. Wave Guide
- 7. Glass Tray

When using electrical appliances, basic safety precautions should always be followed to reduce the risk of fire, electric shock and/or injury to persons including the following:

## PRECAUTIONS

1. Do not attempt to operate this oven with the door open. Operating with the door open can result in harmful exposure to microwave energy.
2. Do not allow soil or cleaner residue to accumulate on sealing surfaces.
3. Do not operate the oven if it is damaged. It is particularly important that the oven door closes properly and that there is no damage to the door, hinges and latches, door seals and sealing surfaces.
4. The oven should not be adjusted or repaired by anyone except qualified service personnel.

When using the microwave oven basic safety precautions should be followed, including the following: **WARNING:** To reduce the risk of burns, electric shock, fire, injury to persons or exposure to excessive microwave energy:

## IMPORTANT SAFEGUARDS

1. Read all instructions before using the appliance.
2. Use this appliance only for its intended use as described in this manual. Do not use corrosive chemicals or vapors in this appliance. This type of oven is specifically designed to heat, cook, defrost, steam or dry food. It is not designed for industrial or laboratory use.
3. Do not operate the oven when empty.
4. Do not operate this appliance if it has a damaged cord or plug, if it is not working properly or if it has been damaged or dropped. If the supply cord is damaged, it must be replaced by a qualified person in order to avoid a hazard.
5. **WARNING:** Only allow children to use the oven without supervision when adequate instructions have been given so that the child is able to use the oven in a safe way and understands the hazards of improper use.
6. To reduce the risk of fire in the oven cavity:
  - a. When heating food in plastic or paper containers, keep an eye on the oven due to the possibility of ignition.
  - b. Remove wire twist-ties from paper or plastic bags before placing the bag in the oven.

- c. If the food or microwave starts smoking, switch off or unplug the appliance and keep the door closed in order to stifle any flames.
- d. Do not use the cavity for storage purposes. Do not leave paper products, cooking utensils or food in the cavity when not in use.
7. **WARNING:** Liquid or other food must not be heated in sealed containers since they are liable to explode.
8. Microwave heating of beverages can result in delayed eruptive boiling, therefore care has to be taken when removing containers from the microwave.
9. Do not fry food in the oven. Hot oil can damage oven parts and utensils and even result in skin burns.
10. Eggs in their shell and whole hard-boiled eggs should not be heated in microwave ovens since they may explode even after microwave heating has ended.
11. Pierce foods with heavy skins such as potatoes, whole squashes, apples and chestnuts before cooking.
12. The contents of feeding bottles and baby jars should be stirred or shaken and the temperature should be checked before serving in order to avoid burns.
13. Cooking utensils may become hot because of heat transferred from the heated food. Be careful when using utensils.
14. Utensils should be checked to ensure that they are suitable for use in a microwave oven.
15. **WARNING:** It is hazardous for anyone other than a trained person to carry out any service or repair operation which involves the removal of any cover which gives protection against exposure to microwave energy.
16. This appliance is not intended for use by persons (including children) with reduced physical, sensory or mental capabilities, or lack of experience and knowledge, unless they have been given supervision or instruction concerning use of the appliance by a person responsible for their safety.
17. Children should be supervised to ensure that they do not play with the appliance.
18. **WARNING:** Do not install the microwave oven over a range cook top or other heat-producing appliances. This could cause damage to the microwave.
19. The surfaces of the microwave oven may be hot during operation.
20. The microwave oven should not be placed in a cabinet.
21. The door or the outer surface may get hot when the appliance is operating.
22. The appliance should be placed against a wall.
23. **WARNING:** If the door or door seals are damaged, the oven must not be operated until it has been repaired by a qualified person.
24. The microwave oven is not intended to be operated by means of an external timer or separate remote-control system.
25. The microwave oven is for household use only and not for commercial use.

26. Never remove the distance holder in the back or on the sides, as it ensures a minimum distance from the wall for air circulation.
27. Please secure the turn table before you move the appliance to avoid damages.
28. Heated food can be very hot, use an oven glove to remove food safely.
29. Caution! Steam will escape, when opening lids or wrapping foil.
30. Cleaning and maintenance should not be made by children unless they are aged from 8 years and above and supervised.

## INSTALLATION

1. Make sure that all the packing materials are removed from the inside of the door.
2. **WARNING:** Check the oven for any damage, such as misaligned or bent door, damaged door seals and sealing surfaces, broken or loose door hinges and latches and dents inside the cavity or on the door. If there is any damage, do not operate the oven and contact qualified service personnel.
3. This microwave oven must be placed on a flat, stable surface to hold its weight and the heaviest food likely to be cooked in the oven.
4. Do not place the oven where heat, moisture, or high humidity are generated, or near combustible materials.
5. For correct operation, the oven must have sufficient airflow. Allow 20cm of space above the oven, 10cm at back and 5cm at both sides. Do not cover or block any openings on the appliance. Do not remove feet.
6. Do not operate the oven without glass turntable, roller support, and shaft in their proper positions.
7. Make sure that the power supply cord is undamaged and does not run under the oven or over any hot or sharp surface.
8. The socket must be readily accessible so that it can be easily switched off/unplugged in an emergency.
9. Do not use the oven outdoors.

## COOKING INSTRUCTIONS

1. Arrange food carefully. Place thickest areas towards outside of dish.
2. Watch cooking time. Cook for the shortest amount of time indicated and add more as needed. Food severely overcooked can smoke or ignite.
3. Cover foods while cooking. Covers prevent spattering and help foods to cook evenly.

4. Turn foods over once during microwave cooking to speed cooking of such foods as chicken and hamburgers. Large items like roasts must be turned over at least once.
5. Rearrange foods such as meatballs halfway through cooking both from top to bottom and from the center of the dish to the outside.

## GROUNDING INSTRUCTIONS

This appliance must be grounded. This oven is equipped with a cord having a grounding wire with a grounding plug. It must be plugged into a wall receptacle that is properly installed and grounded. In the event of an electrical short circuit, grounding reduces risk of electric shock by providing an escape wire for the electric current. It is recommended that a separate circuit serving only the oven be provided. Using a high voltage is dangerous and may result in a fire or other accident causing oven damage. **WARNING** Improper use of the grounding plug can result in a risk of electric shock.

Note:

1. If you have any questions about the grounding or electrical instructions, consult a qualified electrician or service person.
2. Neither the manufacturer nor the dealer can accept any liability for damage to the oven or personal injury resulting from failure to observe the electrical connection procedures. The wires in this cable main are colored in accordance with the following code:

Green and Yellow = EARTH

Blue = NEUTRAL

Brown = LIVE

# BEFORE YOU CALL FOR SERVICE

If the oven fails to operate:

1. Check to ensure that the oven is plugged in securely. If it is not, remove the plug from the outlet, wait 10 seconds, and plug it in again securely.
2. Check for a blown circuit fuse or a tripped main circuit breaker. If these seem to be operating properly, test the outlet with another appliance.
3. Check to ensure that the control panel is programmed correctly and the timer is set.
4. Check to ensure that the door is securely closed engaging the door safety lock system. Otherwise, the microwave will not start.

IF NONE OF THE ABOVE RECTIFIES THE SITUATION, THEN CONTACT A QUALIFIED TECHNICIAN. DO NOT TRY TO ADJUST OR REPAIR THE OVEN YOURSELF.

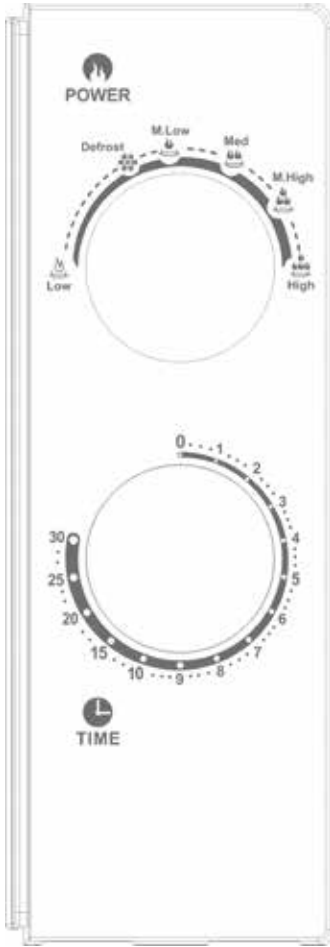
## UTENSILS GUIDE

1. The ideal material for a microwave utensil is transparent, it allows energy to pass through the container and heat the food.
2. Do not use metal utensils or dishes. This may cause sparks and/or fires.
3. Do not use recycled paper products when microwave cooking, as they may contain small metal fragments which may cause sparks and/or fires.
4. Round /oval dishes rather than square/oblong ones are recommend, as food in corners tends to overcook. The list below is a general guide to help you select the correct utensils.

COOKWARE	MICROWAVE
Heat-Resistant Glass	Yes
Non Heat-Resistant Glass	No
Heat-Resistant Ceramics	Yes
Microwave-Safe Plastic Dish	Yes
Kitchen Paper	Yes
Metal Tray	No
Metal Rack	No
Aluminum Foil & Foil Containers	No



# CONTROL PANEL



The control panel consists of two function operators. One is a timer knob, and another a power knob.

## POWER/ACTION SELECTOR

Use the power knob to choose a cooking power level. This is the first step to start cooking.

## TIMER KNOB

Use the timer knob to select a desired cooking time, up to 30 minutes per cooking session.

## MICROWAVE COOKING

There are 6 power levels to choose from when cooking your food. Power level increases with the knob turning clockwise. The power levels can be classified as the following:

Power Output	Description
100%	HIGH
88%	MEDIUM HIGH
73%	MEDIUM
52%	MEDIUM LOW
42%	DEFROST
20%	LOW

# OPERATION

To start a cooking session

1. Place food in oven and close the door.
2. Turn Power Selector to select a power level.
3. Use Timer knob to set a cooking time

As soon as the timer is turned, oven starts cooking. When selecting time for less than 2 minutes, turn timer past 2 minutes and then return to the correct time.

## CAUTION: ALWAYS RETURN TIMER BACK TO ZERO POSITION

if food is removed from oven before the set cooking time is complete or when oven is not in use. To stop the oven during the cooking process, open the door by the handle.

# CLEANING & CARE

1. Turn off the oven and remove the power plug from the wall socket before cleaning.
2. Keep the inside of the oven clean. When food splatters or spilled liquids adhere to oven walls, wipe with a damp cloth. Mild detergent may be used if the oven gets very dirty. Avoid the use of spray and other harsh cleaners as they may stain, streak or dull the door surface.
3. The outside surfaces should be cleaned with a damp cloth. To prevent damage to the operating parts inside the oven, water should not be allowed to seep into the ventilation openings.
4. Wipe the door and window on both sides, the door seals and adjacent parts frequently with a damp cloth to remove any spills or splatters. Do not use abrasive cleaners.
5. Do not allow the control panel to become wet. Clean with a soft, damp cloth. When cleaning the control panel, leave oven door open to prevent oven from accidentally turning on.
6. If steam accumulates inside or around the outside of the oven door, wipe with a soft cloth. This may occur when the microwave oven is operated under high humidity condition. And it is normal.
7. It is occasionally necessary to remove the glass tray for cleaning. Wash the tray in warm sudsy water or in a dishwasher.
8. The roller ring and oven floor should be cleaned regularly to avoid excessive noise. Simply wipe the bottom surface of the oven with mild detergent. The roller ring may be washed in mild sudsy water or dishwasher. When removing the roller ring from cavity floor for cleaning, be sure to replace in the proper position.
9. Remove odors from your oven by combining a cup of water with the juice and skin of one lemon in a deep microwaveable bowl, microwave for 5 minutes. Wipe thoroughly and dry with a soft cloth.
10. When it becomes necessary to replace the oven light, please consult a qualified person to have it replaced.
11. The oven should be cleaned regularly and any food deposits removed. Failure to maintain the oven in a clean condition could lead to deterioration of the surface that could adversely affect the life of the appliance and possibly result in a hazard.
12. Please do not dispose this appliance into the domestic rubbish bin; it should be taken to your local recycling centre. Please contact your local council for more details.

# OPERATION

AC: 230V~240V

50Hz

Power: 700W

# WASTE DISPOSAL

According to Waste of Electrical and Electronic Equipment (WEEE) directive, WEEE should be separately collected and treated.

If at any time in the future you need to dispose of this product please do NOT do so with household waste.

Please send this product to WEEE collection points where available.



# AFTER SALES SERVICE

This product is guaranteed for two years from the date of original purchase. Proof of purchase will be required. The guarantee is subject to the following provisions:

The guarantee does not cover accidental damage, misuse, unit parts, knobs or consumable items.

The product must be correctly stored and operated in accordance with the instructions contained in this manual.

It must be used solely for domestic purposes.

The guarantee will be rendered invalid if the product is re-sold or has been damaged by inexpert repair.

Specifications are subject to change without prior notice.

The manufacturer disclaims any liability for incidental or consequential damages.

The guarantee is in addition to, and does not affect your statutory or legal rights.



**HADEN**

ESTD. ENGLAND 1958